

Introduction

- Read this quick start guide carefully before installing and/or using this product.
- Keep this quick start guide for future reference and store in a safe place.
- The CRD-1531 is a designated communication modem cradle for the DCL-1530 and the DCL-1531 data collectors.

Notice

- This quick start guide may be revised or withdrawn at any time without prior notice.
- This quick start guide may not, in whole or in part, be copied, photocopied, reproduced, translated or converted to any electronic or machine readable form without prior written consent of Opticon.
- Trademarks used are property of their respective owners.
- Under no circumstances shall Opticon be held responsible for any special, incidental, consequential or indirect damages, howsoever caused.

⚠ Caution and Warning

Handling Instructions

- Do not attempt to disassemble, modify or update this product.
- Do not drop this product or put heavy items on this product.
- Do not insert foreign substances into this product.
- Do not use this product in the following areas:
 - In areas exposed to direct sunlight for long periods of time.
 - In dusty environments.
 - Near water or other liquids, or in extremely high humidity.
 - Near heat sources, such as radiators, heat registers, stoves, or other types of devices that produce heat.
 - Near microwaves, medical devices, or low-power radio stations.
- If water or any metallic object gets into this product and if you detect smoke or a strange smell coming from the device, please stop operating the unit and contact your nearest dealer.
- When cleaning this product, rub gently with either a soft dry cloth or a damp cloth with mild detergent.

Before Getting Started

■ What's in the Box

Confirm that you have the following items before getting started:

No.	Items	Function
1	Cradle	Designated communication cradle for the DCL-1530 and the DCL-1531.
2	AC Adapter Kit	Designated AC adapter kit for the CRD-1531.
3	Modular Cable and Splitter	Designated modular cable and a splitter for the CRD-1531.
4	Quick Start Guide	Provides product information and instruction guide.

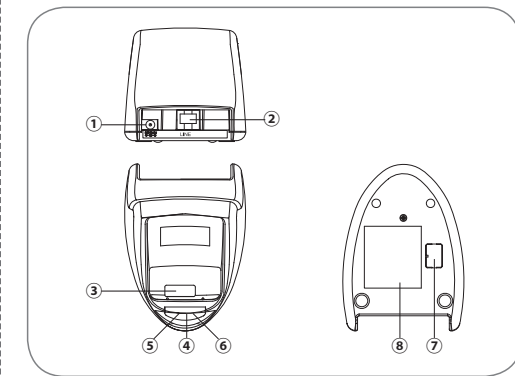
Note: The number of accessories may differ depending on the product specification. Please contact the nearest dealer if accessories are damaged or missing.

Overview

■ CRD-1531 Basic Specifications

Parameter	Specifications	
Physical Features	Size	(H)67.5 × (W)71.5 × (D)98.5 mm Max
	Weight	75g Max (excl. cable or AC adapter)
Display Section	Status LEDs	Power Status: red
		Data Reception Status: green
		Data Transmission Status: yellow
Interface Section	Comm. Line	Telephone Line
	Comm. Line Voltage	48V
	Comm. Protocol	ITU-T V.90, V.34, V.32bis, V.32, V.22bis, V.22, V.23, Bell 212A, V.21 or Bell 103 (selectable)
	Data Compression Scheme	ITU-T V.42bis or MNP5 (selectable)
	Error Correction Scheme	ITU-T V.42 or MNP2-4 (selectable)
	Baud Rate	9600bps to 56kbps Depends on the comm. protocol.
	Modulation Method	PCM, TCM, or QAM
	Dialing	Pulse: 10/20pps, DTMF (selectable)
	Modem Control	AT Command
	Line Connector	RJ-11 6P Modular Connector
Power Supply Section	Main Power	AC Adapter: 6V/2A
Durability	Operating Temperature	0 deg. C to 40 deg. C
	Operating Humidity	25% to 85% (non-condensing)
	Storage Temperature	-20 deg. C to 60 deg. C
	Storage Humidity	20% to 90% (non-condensing)
	Shock Endurance	Dropped 6 times onto concrete from a height of 75cm with no defects found.
	Anti-static Electricity	± 15kV (no destruction)

■ Detailed View

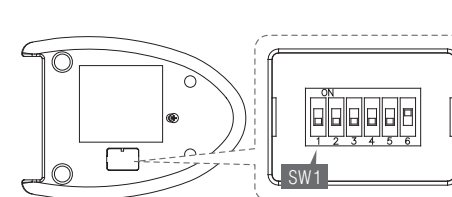


No.	Name	Function
①	DC Power Supply Connector	A connector a dedicated AC adapter.
②	Modular Jack	A connector for telephone line.
③	IrDA Communication Window	Window for the communication between the data collector and the cradle.
④	Power Supply Status LED (red)	This LED turns solid red when the power is turned ON.
⑤	Data Reception Status LED (green)	This LED turns solid green when there is a data reception via IrDA.
⑥	Data Transmission Status LED (Yellow)	This LED turns solid yellow when there is a data transmission via IrDA.
⑦	DIP Switches	DIP switches to configure the baud rate of the IrDA.
⑧	Serial Label	

Using the Cradle

■ DIP Switch (DIPSW) Configuration

Use the DIP switches on the bottom of the CRD-1531 to configure IrDA baud rate setting.



- * The cradle DIP switch settings override the host settings. Set SW6 to OFF to disable host settings.
- * Please open the DIP switch cover when using the DIP switches.
- * Please close the DIP switch cover after using the DIP switches.

■ DIPSW Table

Baud Rate	DIPSW					
	SW1	SW2	SW3	SW4	SW5	SW6
115.2Kbps	ON	ON	ON	×	×	OFF
57.6Kbps	OFF	ON	ON	×	×	OFF
38.4Kbps	ON	OFF	ON	×	×	OFF
19.2Kbps	OFF	OFF	ON	×	×	OFF
9.6Kbps	ON	ON	OFF	×	×	OFF
4.8Kbps	OFF	ON	OFF	×	×	OFF
2.4Kbps	ON	OFF	OFF	×	×	OFF

Contact

Please contact OPTICON or your local dealer.

The Netherlands	Opticon Sensors Europe B.V. tel: +31 (0)23-5692700 / email: sales@opticon.com	Sweden	Opticon Sensors Nordic AB tel: +46 (0)8-58548560 / email: henrik@opticon-sensors.se
U.S.A.	Opticon Inc. tel: 800-636-0090 / email: opticon@opticonUSA.com	United Kingdom	Opticon Limited tel: +44 (0)1582-635100 / email: sales@opticon.co.uk
France	Opticon S.A.S. tel: +33 (0)1-41461260 / email: opticon@opticon.fr	Taiwan	Opticon Far Eastern Ltd. tel: +886 2-27597444 / email: taiwan@opticon.com
Germany	Opticon Sensoren GmbH tel: +49 (0)6074-91890-0 / email: sales.de@opticon.com	China	Opticon Sensors Europe B.V., Shanghai Representative Office tel: +86 21-64480881 / email: china@opticon.com
Italy	Opticon s.r.l. tel: +39 (0)051-6321800 / email: opticon@opticonitalia.it	Australia	Opticon Sensors Pty. Ltd. tel: +61 (0)2-43402666 / email: sales@opticon.com.au
Spain	Opticon Sensores S.L. tel: +34 (0)902-747469 / email: info@opticon.es	Brazil	Opticon Sensors Europe B.V., Latin American Office tel: +55 11-8322 2244 / email: sales.la@opticon.com