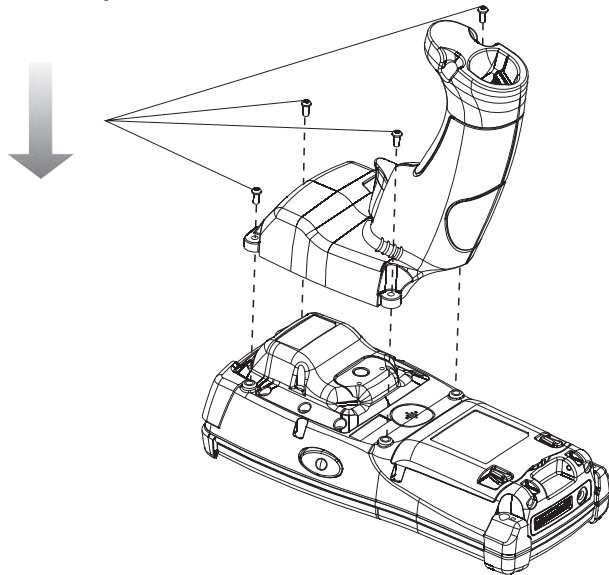


Installing Pistol Grip

1. Line up Pistol Grip on indicated line of PDT.
2. Use four screws to affix Pistol Grip on PDT.

CAUTION:

Ensure Pistol Grip is secured correctly before you use it.



Removing Pistol Grip

1. Use screwdriver to loosen four screws from Pistol Grip.
2. Remove Pistol Grip from PDT.

